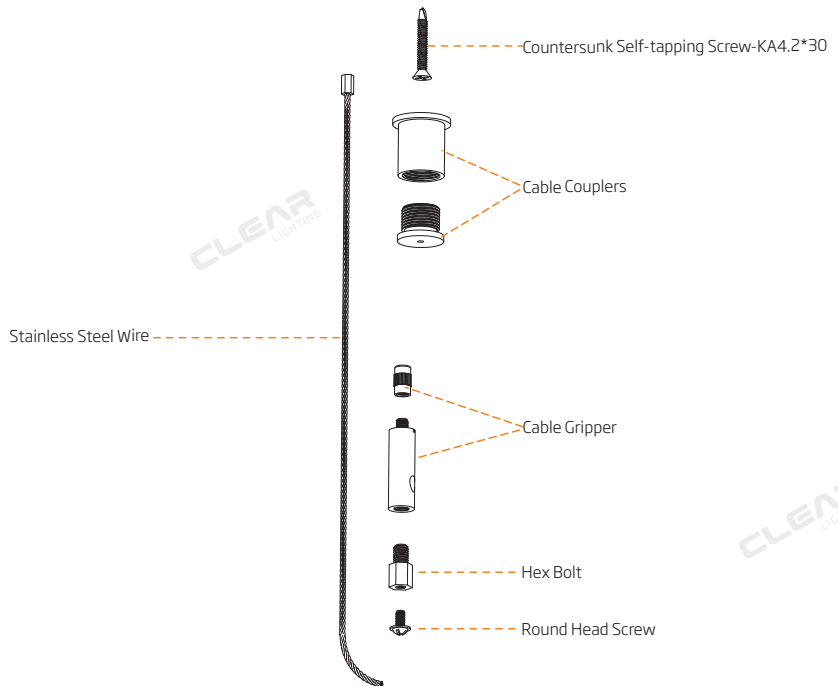
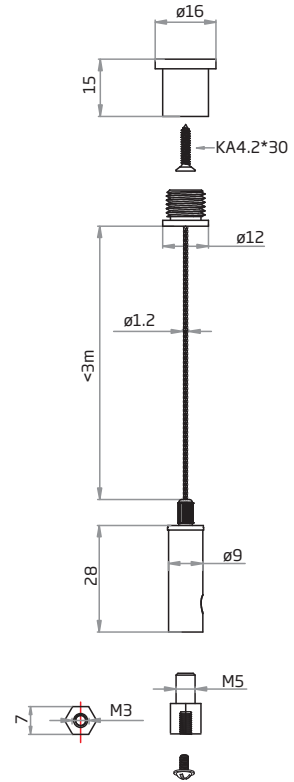


Suspended Mounting Wire



Item Code: SM/W



Note:

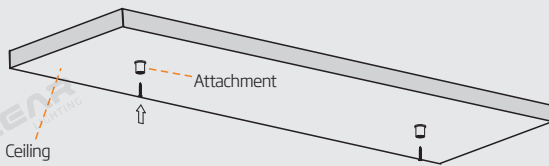
Applicable to serrated aluminum profile.

2 sets of stainless steel wires are offered to pair with 1 piece of 1m serrated aluminum profile.

3 sets of stainless steel wires are offered to pair with 1 piece of 2m serrated aluminum profile.

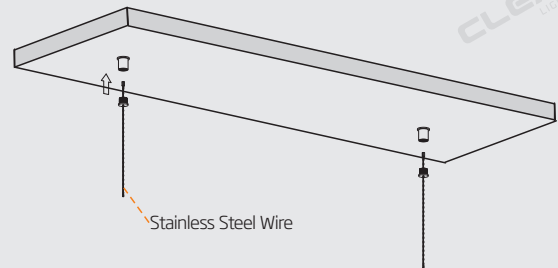
Installation Instructions

Step 1



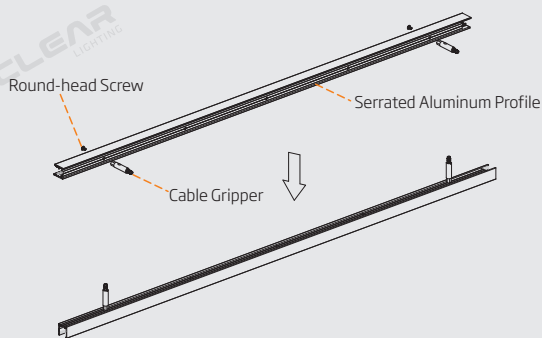
Mount the attachment of cable couplers to the ceiling with sufficient load-carrying capacity and tighten them with screws.

Step 2



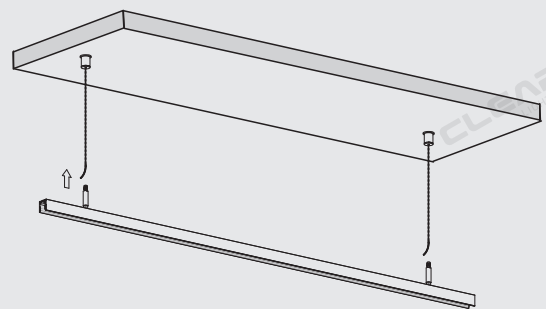
Thread the stainless steel wire through the male screw of cable couplers and then connect to the mounted attachment of cable couplers.

Step 3



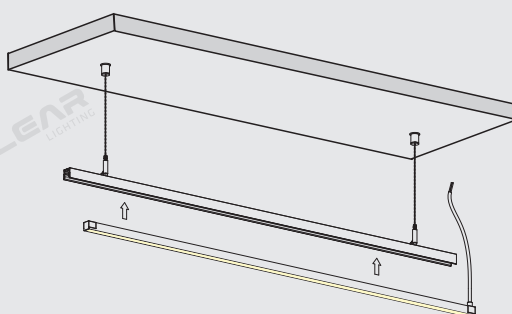
Insert the screw into the serrated aluminum profile to lock with the cable gripper sliding from the bottom slot of serrated aluminum profile.

Step 4



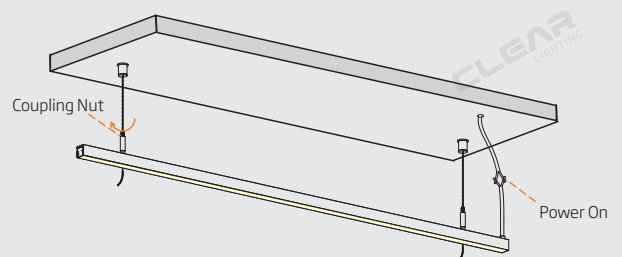
Thread the stainless steel wire through the bushing of cable gripper.

Step 5



Fix the light into the aluminum profile.

Step 6



Adjust the length of stainless steel wires to the desired height. Tighten the coupling nut and cut or roll up the excess stainless steel wires after the power-on test.