

## DALI-2 PS12 100mA

### Datasheet

#### DALI Bus Power Supply Unit



DALI-line power supply

Art. Nr. 24033444-12VDO

# DALI-2 PS12 100mA Bus Power Supply

## Overview

- DALI bus power supply unit.
- guaranteed supply current 100mA.
- maximum supply current 130mA.
- suitable to power a DALI line with up to 50 standard DALI ballasts.
- suitable for back box installation and integration in protection class II devices.
- power supply range 9Vdc ... 16Vdc.



## Specification, Characteristics

<b>type</b>	<b>DALI-2 PS12 100mA</b>
article number	24033444-12VDO
<b>input: +, -</b>	
input type	supply, dc voltage
marking input terminals	+, -
input voltage range	9Vdc ... 16Vdc
max. input supply current	220mA (depending on bus load)
power consumption max.	2W
startup time	250ms
<b>output: DA+, DA-</b>	
output type	DALI supply
marking output terminals	DA+, DA-
output voltage range	12Vdc ... 20,5Vdc
DALI supply current	100mA
guaranteed DALI supply current	100mA
max. DALI supply current	130mA
open circuit proof	yes
short circuit proof	yes
<b>insulation data:</b>	
insulation DALI / mains	reinforced isolation
<b>environmental conditions:</b>	
storing and transportation temperature	-20°C ... +75°C
operational ambient temperature	-20°C ... +55°C
rel. humidity, none condensing	15% ... 90%

**general data:**

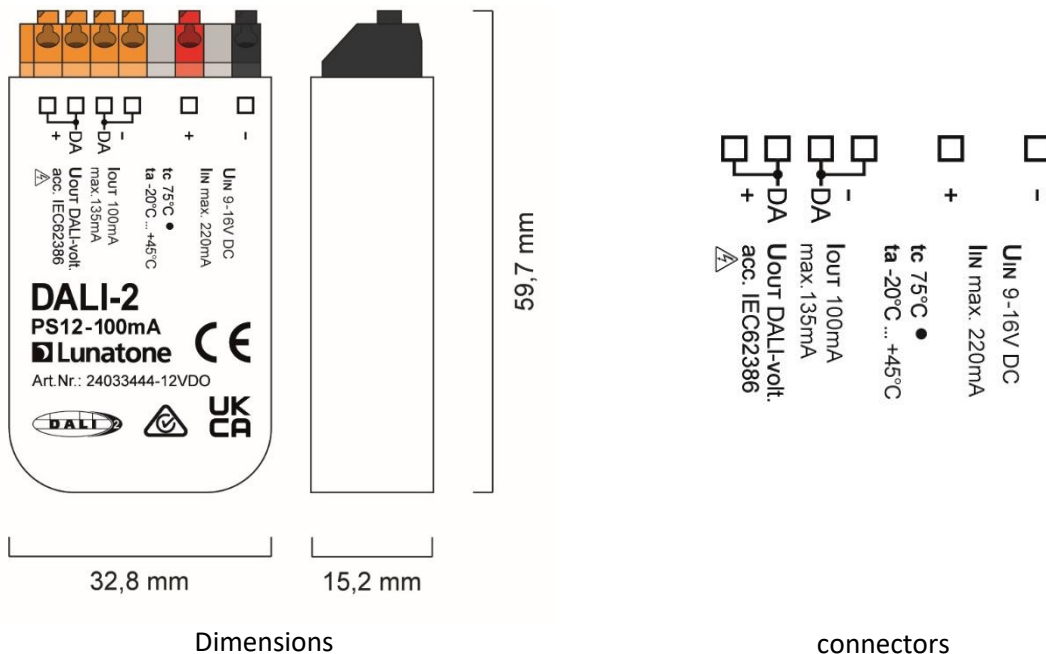
dimensions (l x w x h)	59mm x 33mm x 15mm
mounting	back box installation integration in protection class II device
rated maximum temperature tc	75°C
expected life time @tc	50.000 h
protection class	II in intended use
protection degree housing	IP40
protection degree terminals	IP20

**terminals:**

connection type	spring terminal connector
wire size solid core	0,5 ... 1,5 mm <sup>2</sup> (AWG20 ... AWG16)
wire size fine wired	0,5 ... 1,5 mm <sup>2</sup> (AWG20 ... AWG16)
wire size using wire end ferrule	0,25 ... 1 mm <sup>2</sup>
stripping length	8,5 ... 9,5 mm / 0,33 ... 0,37 inch

**standards:**

DALI	EN 62386-101:2014
EMC	EN 61547 EN50015 / IEC CISPR15
safety	EN 61347-2-11 EN 61347-1
markings	DALI-2, CE



## Installation

- The DALI-2 PS12 100mA is intended for back box installation or in an enclosure.
- Ensure proper working cable relief for installation in protection class II equipment.
- Connect dc supply voltage to terminals + and - with respect to the polarity.
- The polarity of the output voltage is marked on the housing (DA+, DA-).
- The wiring should be carried out as a permanent installation in a dry and clean environment.
- Installation may only be carried out in a voltage-free state of the system and by qualified specialists.
- National regulations for setting up electrical systems must be followed.
- The DALI line may be routed together with the mains voltage in one cable or as single wires in a tube.
- The DALI-line must not be connected to the mains or extra low voltage systems.

- The DALI wiring can be realised with standard low-voltage installation material. No special cables are required.
- Wiring topology of the DALI-line: Line, Tree, Star.



**Attention:** The DALI-signal is not classified as SELV circuit (Safety Extra Low Voltage). Therefore, the installation regulations for low voltage apply

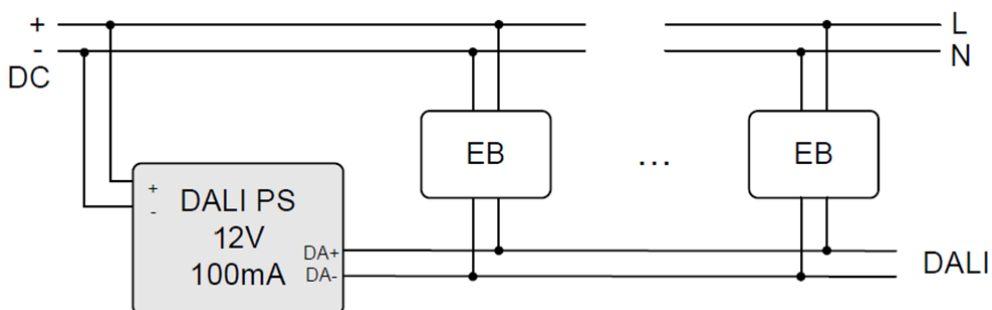


The voltage drop on the DALI line must not exceed 2V at maximum length (300m) and maximum bus load (250mA).

- Do not use standard DC power supplies on the DALI-line, they do not meet the requirements for DALI communication.



**HINT:** an improper DALI power supply can cause damage to DALI devices!



wiring diagram

## Commissioning

- After installation, the DALI-2 power supply is ready for use.
- Make sure that current consumption of all bus devices does not exceeds the guaranteed supply current of the DALI-2 PS12.

## Purchase Order Information

**Art.Nr. 24033444-12VDO:** DALI-2 PS12  
100mA, guaranteed DALI supply current  
100mA, back box installation

## Additional Information and Equipment

DALI Cockpit - free configuration software for DALI systems

<https://www.lunatone.com/en/product/dali-cockpit/>

Lunatone DALI products

<https://www.lunatone.com/en>

Lunatone Datasheets and Manuals

<https://www.lunatone.com/en/downloads-a-z/>

## Contact

Technical Support: [support@lunatone.com](mailto:support@lunatone.com)

Requests: [sales@lunatone.com](mailto:sales@lunatone.com)



## Disclaimer

Subject to change. Information provided without guarantee.  
The datasheet refers to the current delivery.

The function in installations with other devices must be tested  
for compatibility in advance.