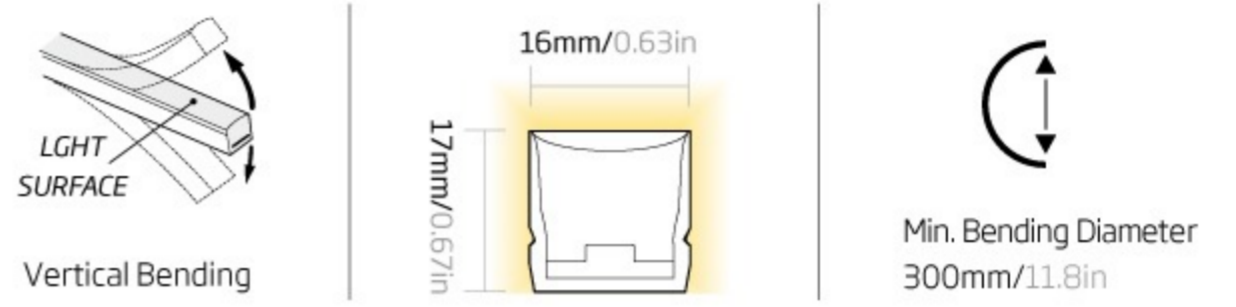




Flexglo™ F22(3-Side Emitting) Vertical bending (Silicone)



ClearTech™ TwinFlex™ C-Mask™ PinBoost™

5 year
Warranty

ANSI
C78.377

3
SDCM

55 °C
-40 °C
Ambient Working
Temperature

Anti
yellowing

Working Temp. -40~55°C / -40~131°F

Storage Temp. -40 ~ 60°C / -40~140°F

Voltage 24CC

Min. Cutting Length 71.40mm

Abmient Installation Temp. '-40°C / '-40°F

Max. Mounting Surface Temp. 85°C / 185°F

Power/m 9.00

Max. Running Length 18.00m

Optical Parameters

Item Code	Finished Product						
	Color/CCT	Wavelength/CCT Tolerance	Color Tolerance	CRI	R9	Lumen/m	Lumen/ft
C-SFR-F22BT-VB-24CC-R-WM-126-80-9W-71.4	Red	618-624nm	N/A	N/A	N/A	360.00	109.76

Connector Type

IP68 Silicone Injection-moulded Connector

Front Connector End	Front Connector Side from Left	Front Connector Side from Right	Front Connector Bottom	Seamless Middle Connector & Power Feed	Middle Connector & Power T-feed	Jumper	End Cap
				N/A			
F22B-VB-SIM/FC-01/02-E-0.3m/1m/3m/5m/10m/15m/20m 18AWG*2	F22B-VB-SIM/FC-01/02-SL-0.3m/1m/3m/5m/10m/15m/20m 18AWG*2	F22B-VB-SIM/FC-01/02-SR-0.3m/1m/3m/5m/10m/15m/20m 18AWG*2	F22B-VB-SIM/FC-01/02-B-0.3m/1m/3m/5m/10m/15m/20m 18AWG*2	N/A	F22B-HB-SIM/MC-PTF-0.3m/1m/3m 18AWG*2	F22B-HB-SIM/JU-0.3m/1m 18AWG*2	F22-SIM/EC

Mounting Profile



Serrated Aluminum Profile
F22-SA/PL-20/500/1000/2000mm
W20.2*H20.8mm
(Tolerance ±0.3mm)

